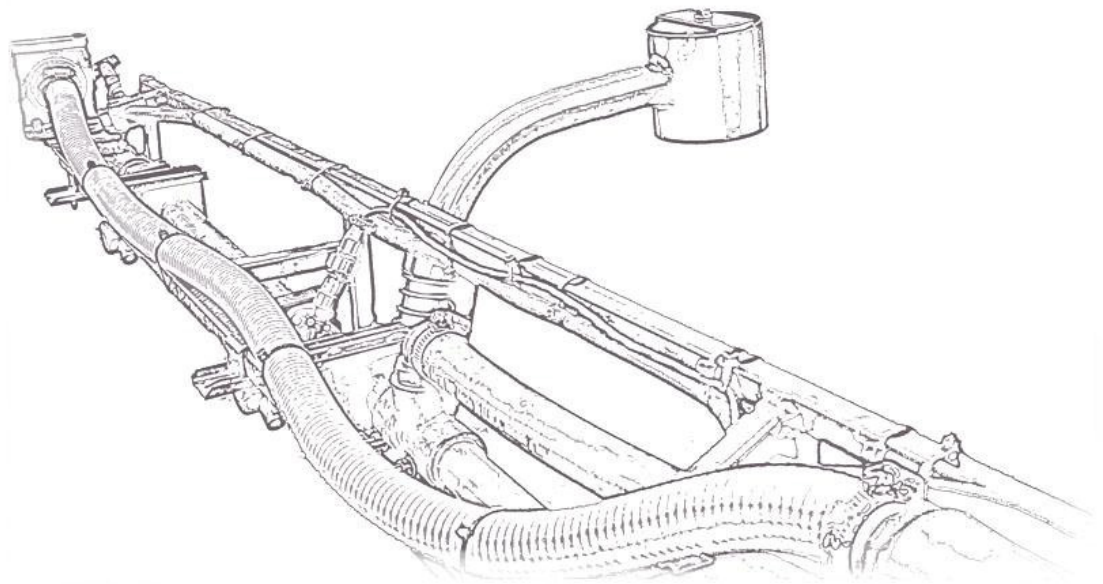




# UC5<sup>TM</sup> CAN BUS Spray Height Controller



Case AFS Pro 600  
Display Kit  
Installation Manual

Printed in Canada

Copyright © 2010 by NORAC Systems International Inc.

Reorder P/N: 54VT-PRO600-INST Rev C (Case AFS PRO 600 Display Kit)

---

**NOTICE:** NORAC Systems International Inc. reserves the right to improve products and their specifications without notice and without the requirement to update products sold previously. Every effort has been made to ensure the accuracy of the information contained in this manual. The technical information in this manual was reviewed at the time of approval for publication.

# Contents

---

<b>I INTRODUCTION .....</b>	<b>2</b>
I.1 VT Software Version.....	2
I.2 List of Parts .....	2
<b>2 INSTALLATION .....</b>	<b>3</b>
2.1 Self Propel .....	3
2.2 Switch Box Installation .....	4
<b>3 CABLE DRAWINGS .....</b>	<b>5</b>
3.1 ITEM C01: 43220-01 - CABLE UC5 NETWORK 14 AWG - IM .....	5
3.2 ITEM C30: 43250-14 – CABLE UC5 BATTERY 2 PIN DT .....	5
3.3 ITEM C25: 44602-01 – SWITCH REMOTE HAND CONTROL.....	6
3.4 ITEM C26: 43240-26 – CABLE UC5 SWITCH BOX.....	7
3.5 ITEM C40: 43260-07 – CABLE UC5 CAN BUS 3 PIN DT J1939 .....	8
<b>APPENDIX A: ALTERNATE CONFIGURATION .....</b>	<b>9</b>

# I Introduction

---

The Case AFS Pro 600 Display Kit Manual is intended to be used in conjunction with the UC5 Spray Height Control Installation Manual. This manual provides instructions to interface the UC5 Control Module to the Case AFS Pro 600 Display. For installation of the rest of the UC5 Spray Height Control System please refer to the sprayer specific manual provided with the kit.

## 1.1 VT Software Version

Before you connect the UC5 to the Case AFS Pro 600, you must ensure that you have the latest Pro 600 software installed. The Pro 600 software must be Version 25 or newer.

## 1.2 List of Parts

Item	Part Number	Name	Quantity
C01	43220-01	CABLE UC5 NETWORK 14 AWG 1M	1
C25	44602-01	BOX SWITCH UC4 REMOTE HAND CONTROL VER.1 RMR	1
C26	43240-26	CABLE UC5 INTERFACE SWITCH BOX	1
C30	43250-14	CABLE UC5 BATTERY 2 PIN DT FUSED (ECU & SIG)	1
C40	43260-07	CABLE UC5 INTERFACE CAN BUS 3 PIN DT J1939	1
M01	UC5-BC-MANUAL-VT	MANUAL UC5 OPERATORS - VIRTUAL TERMINAL	1
M04	54VT-PRO600-INST	MANUAL UC5 DISPLAY KIT CASE AFS PRO 600	1

## 2 Installation

The following instructions are for installation on a self propelled sprayer.

### 2.1 Self Propel

1. Securely mount the control module (E01) on the center boom at the rear of the sprayer.
2. Tee the CANbus interface cable (C40) in to the Case "Application" CANbus. The "Application" CANbus is a 3 pin Deutsch connector located on the center section of the boom at the rear of the sprayer.
3. Connect the Deutsch plug on cable C40 to the end of the control module with only one Deutsch connector.
4. Connect the power cable (C30) to one of the two CANbus connectors on the control module. Connect the 2 pin DT connector on C30 to a 15A, +12 VDC source.
5. Connect cable C01 to the other CANbus connector and route the cable to the Valve Module.

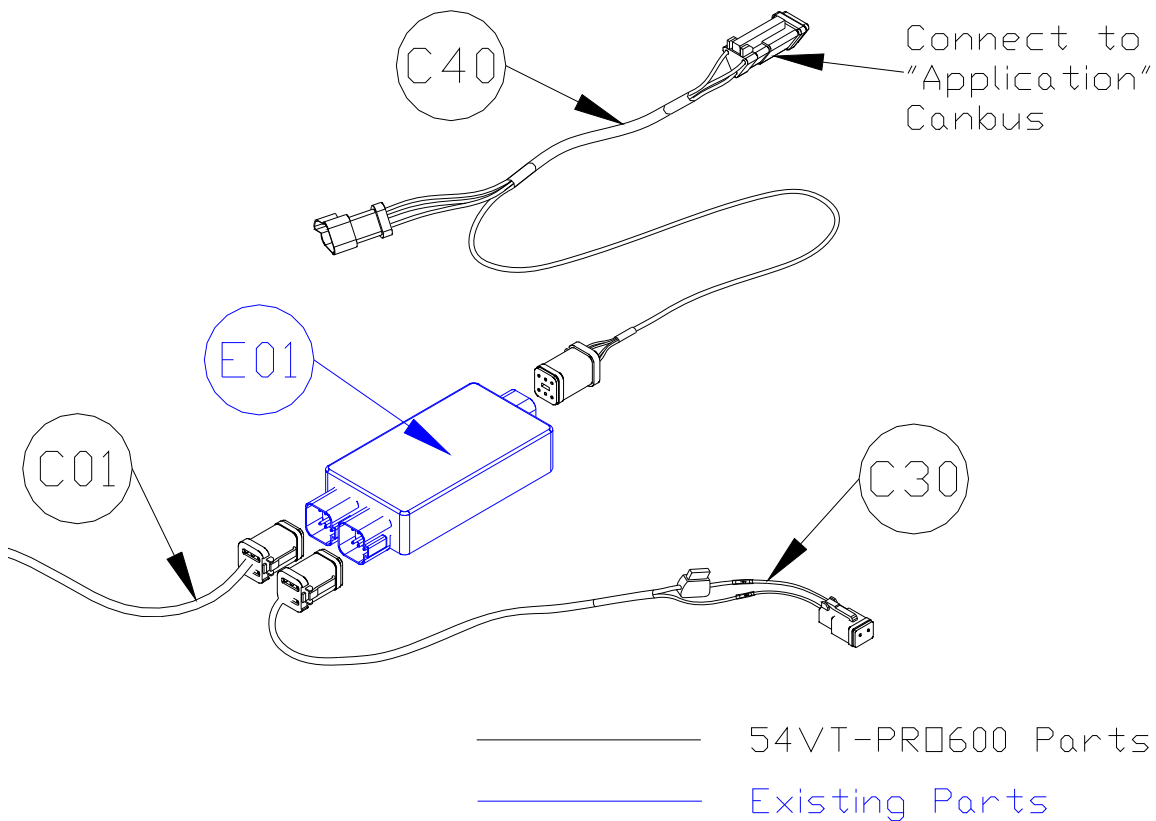


Figure 1: Case AFS Pro 600 Display Kit – Self Propelled Sprayer

## 2.2 Switch Box Installation

1. Disconnect cable C20 (grey side connector) from the Input Module (E03). Remove the wedge from the face of the 12 pin Deutsch plug.
  2. Insert the Roll CW pin from C26 into position 3 of the 12 pin plug on C20. Insert the Roll CCW pin from C26 into position 4 of the 12 pin plug on C20. Insert the wedge back into the plug. Connect C20 to the grey side connector on the Input Module.
  3. Connect the 12 pin Deutsch plug on C26 to the grey end connector on the input module. Route the other end of the cable to the hitch of the sprayer (pull type) or to the cab (self propelled).
  4. Attach the switch box (C25) inside the cab and connect it to cable C26. An extra label is provided with the switch box if you prefer to remove the switches from the housing and mount them in the existing sprayer switch panel.
- \* Some sprayer types may not use all the switch functions.
- \* Refer to “Appendix A” for sprayers with European style slant control.

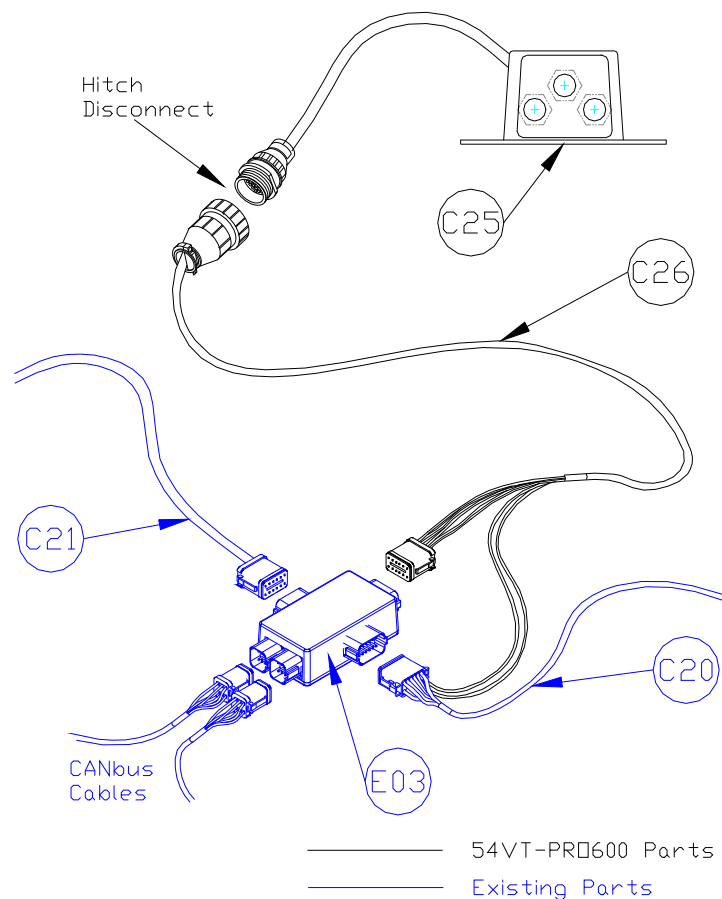
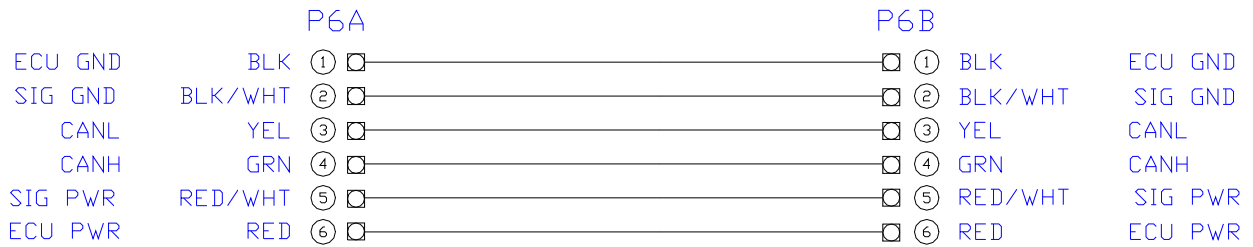
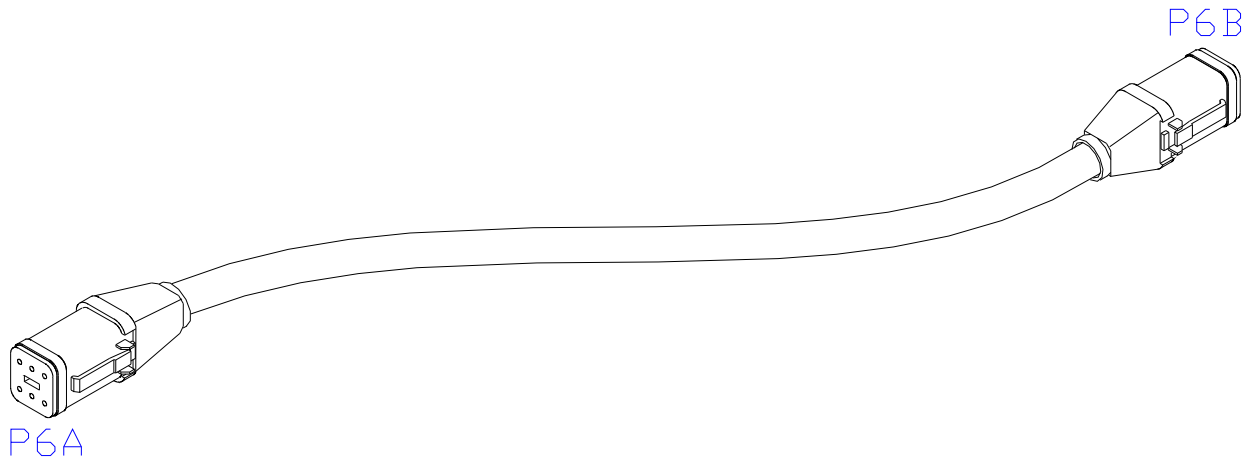


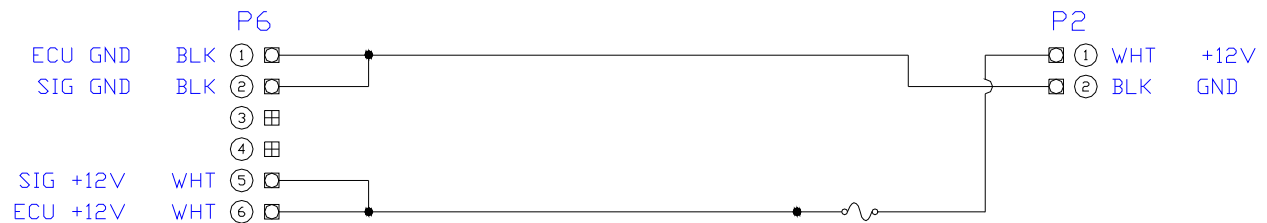
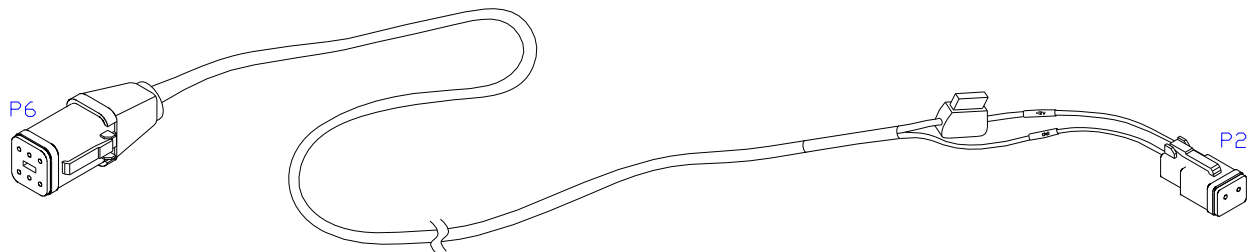
Figure 2: Switch Box Installation

### 3 Cable Drawings

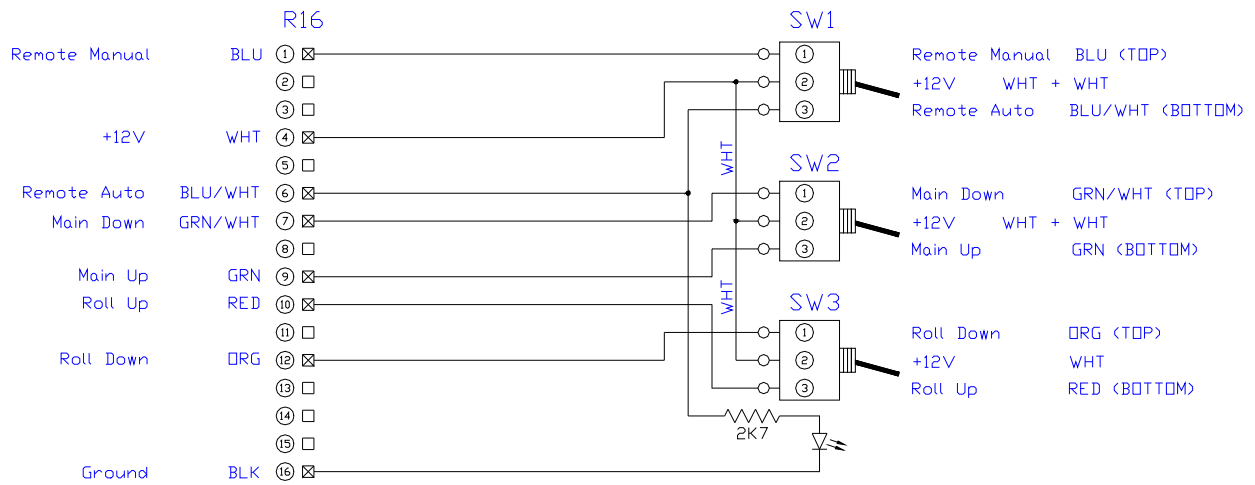
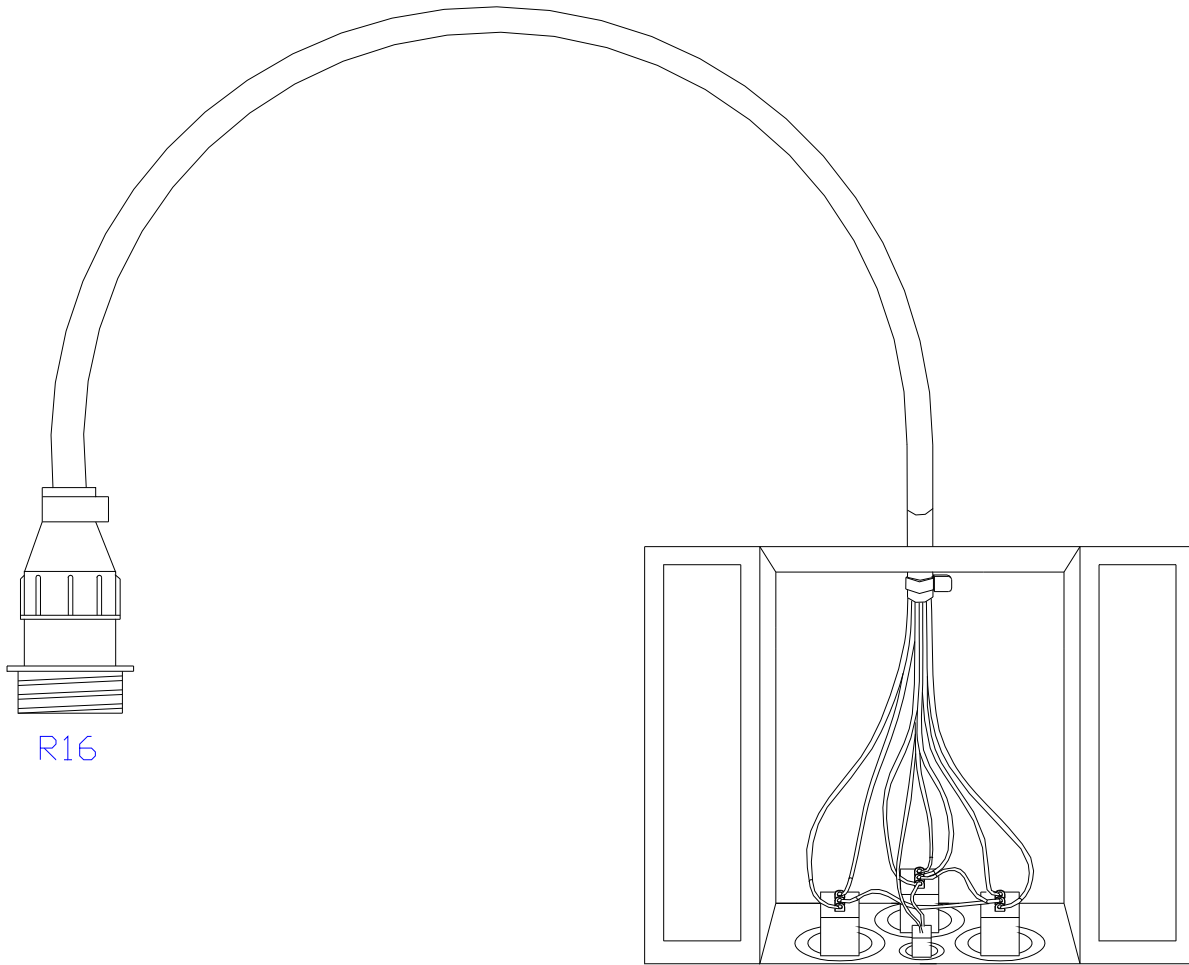
#### 3.1 ITEM C01: 43220-01 - CABLE UC5 NETWORK 14 AWG - 1M



#### 3.2 ITEM C30: 43250-14 – CABLE UC5 BATTERY 2 PIN DT

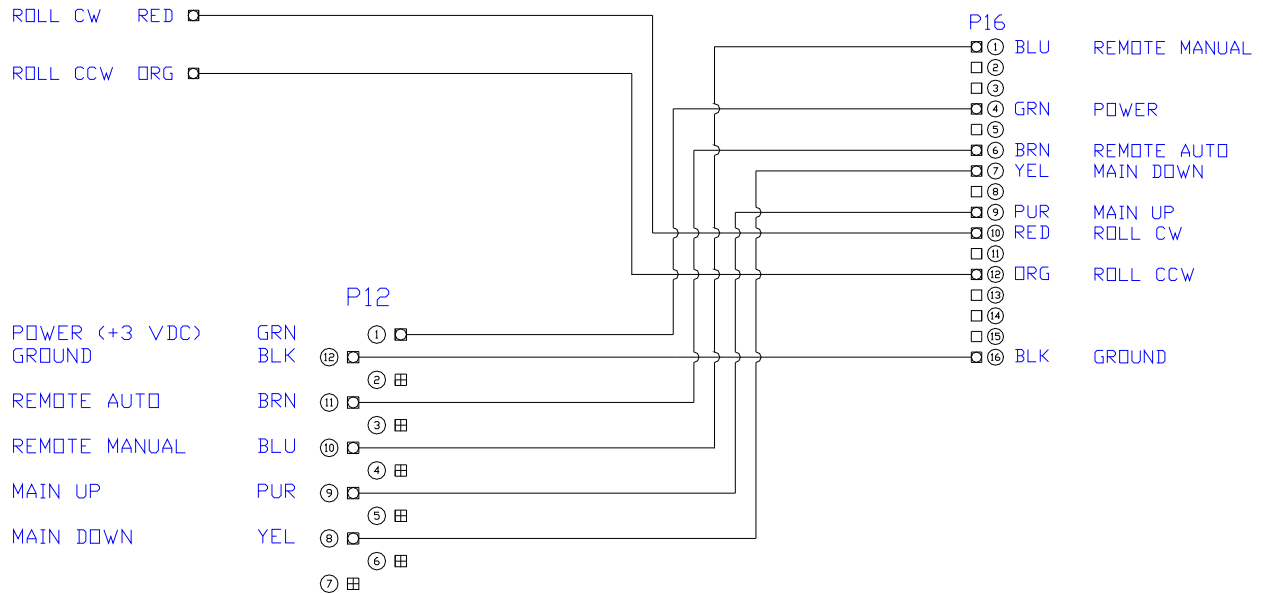
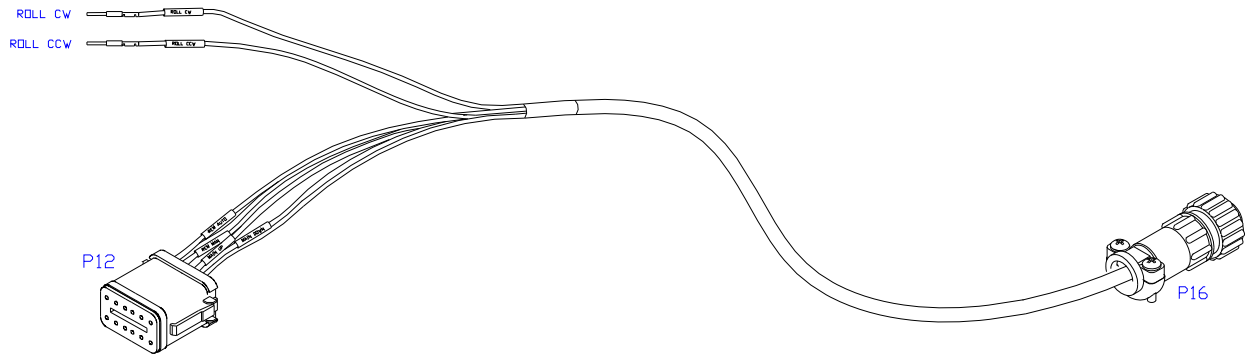


### 3.3 ITEM C25: 44602-01 – SWITCH REMOTE HAND CONTROL

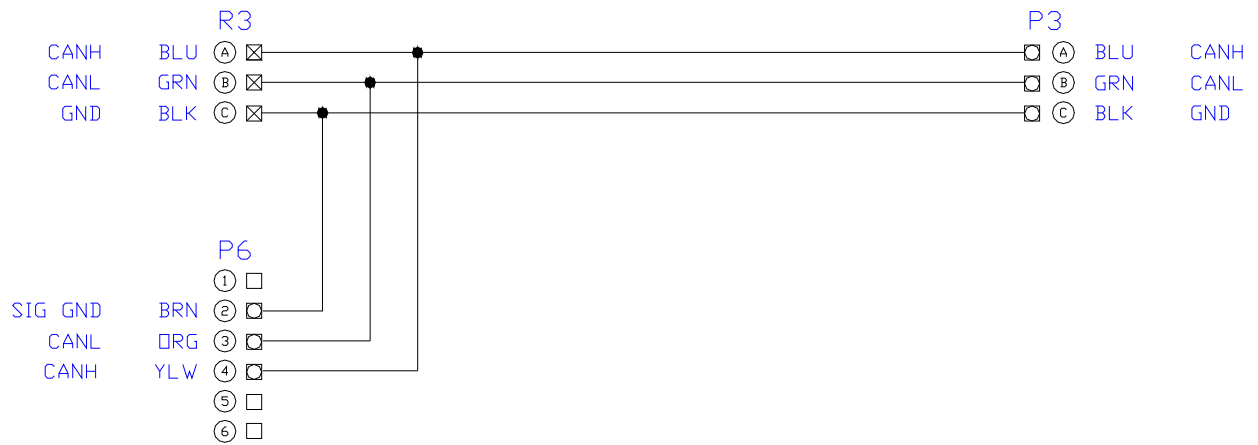
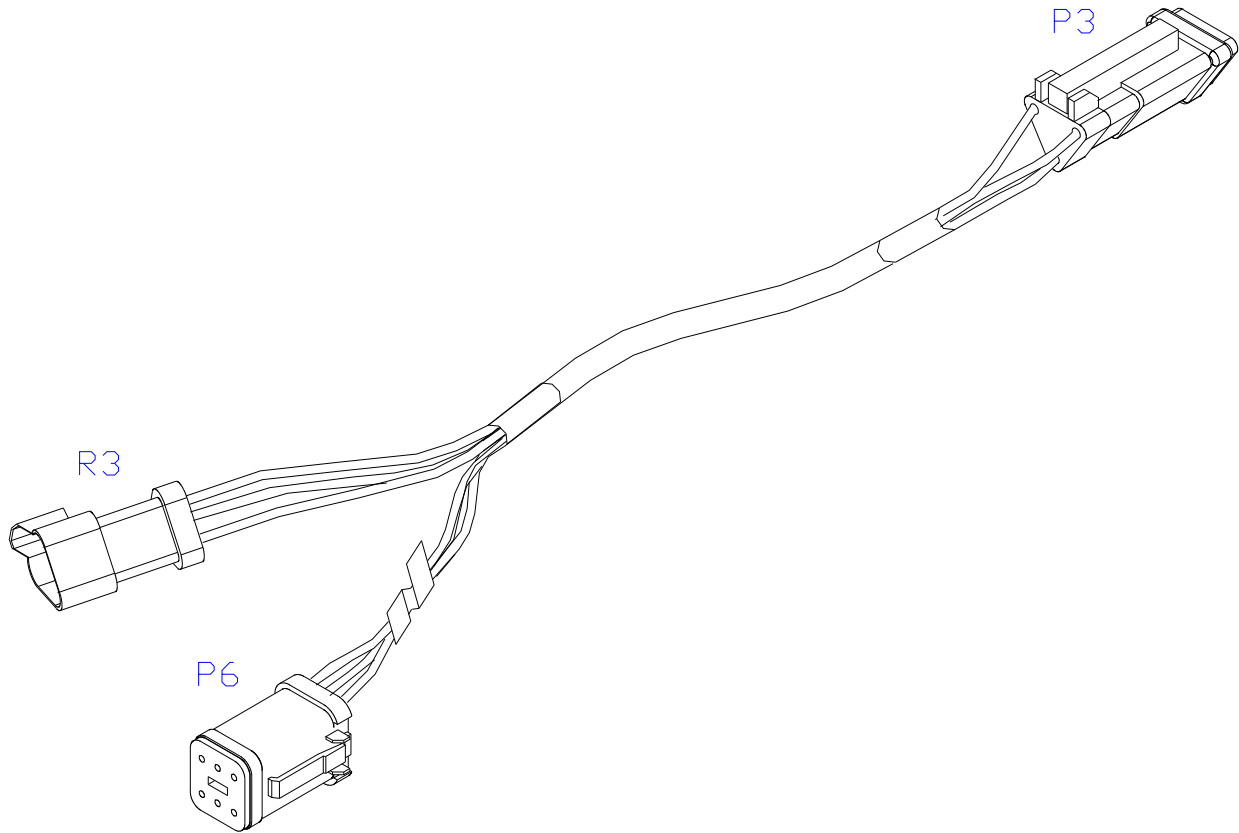




### 3.4 ITEM C26: 43240-26 – CABLE UC5 SWITCH BOX



### 3.5 ITEM C40: 43260-07 – CABLE UC5 CAN BUS 3 PIN DT J1939



## Appendix A: Alternate Configuration

---

If your sprayer has European style slant control, you will need to reconfigure the switch box as shown below. This is only required for sprayer types which are driving the slant output from the Input Module. Reconfigure the pins on cable C26 as follows:

Function (Cable C26)	Wire Color	Normal Configuration		European Style Slant Configuration	
		Connector	Pin Location	Connector	Pin Location
Power	White	Grey End (C26)	1	Grey End (C26)	1
Ground	Black	Grey End (C26)	12	Grey End (C26)	12
Remote Auto	Brown	Grey End (C26)	11	Grey End (C26)	11
Remote Manual	Blue	Grey End (C26)	10	Grey Side (C20)	4
Main Up	Purple	Grey End (C26)	9	Grey End (C26)	9
Main Down	Yellow	Grey End (C26)	8	Grey End (C26)	8
Roll CW	Red	Grey Side (C20)	3	Grey End (C26)	6
Roll CCW	Orange	Grey Side (C20)	4	Grey End (C26)	10

**Canada**

**NORAC Systems International Inc.**

Phone: (+1) 306 664 6711

Toll Free: 1 800 667 3921

Shipping Address:

3702 Kinnear Place

Saskatoon, SK

S7P 0A6

**United States**

**NORAC, Inc.**

Phone: (+1) 952 224 4142

Toll Free: 1 866 306 6722

Shipping Address:

6667 West Old Shakopee Road, Suite 111

Bloomington, MN

55438

**Europe**

**NORAC Europe**

Phone: (+33) (0)4 26 47 04 42

Shipping Address:

Rue de l'hermitage

01090 GUEREINS

France

[www.norac.ca](http://www.norac.ca)

